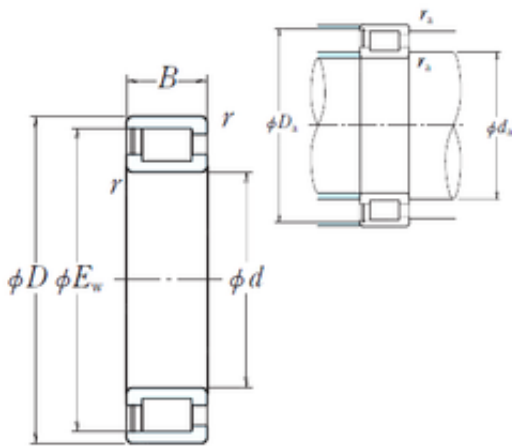




AMERICAN NTN BEARING MFG.CORP.



180 mm x 225 mm x 22 mm NSK NCF1836V FULL-COMPLEMENT CYLINDRICAL ROLLER BEARINGS

Bearing No. NCF1836V

Size	180x215x22 mm
Bore Diameter	180 mm
Outer Diameter	215 mm
Width	22 mm
d	180 mm
D	225 mm
Ew	215 mm
B	22 mm
C	22 mm
r min.	1,5 mm
Da	216 mm
ra max.	1,5 mm
da	192 mm
Weight	1,8 Kg
Basic dynamic load rating (C)	154 kN

NCF1836V Bearing 2D drawings and 3D CAD models