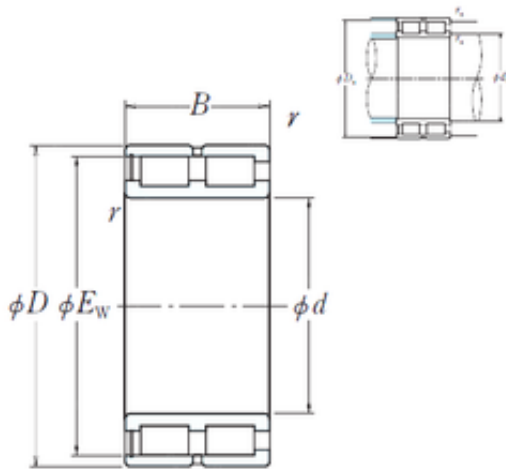




AMERICAN NTN BEARING MFG.CORP.

360 mm x 440 mm x 80 mm NSK NNCF4872V FULL-COMPLEMENT CYLINDRICAL ROLLER BEARINGS

Bearing No. NNCF4872V



NNCF4872V Bearing 2D drawings and 3D CAD models

| | |
|-------------------------------|-----------------|
| Size | 360x420.4x80 mm |
| Bore Diameter | 360 mm |
| Outer Diameter | 420,4 mm |
| Width | 80 mm |
| d | 360 mm |
| D | 440 mm |
| Ew | 420,4 mm |
| B | 80 mm |
| C | 80 mm |
| r min. | 2,1 mm |
| Da | 421 mm |
| ra max. | 2 mm |
| da | 379 mm |
| Weight | 27 Kg |
| Basic dynamic load rating (C) | 885 kN |