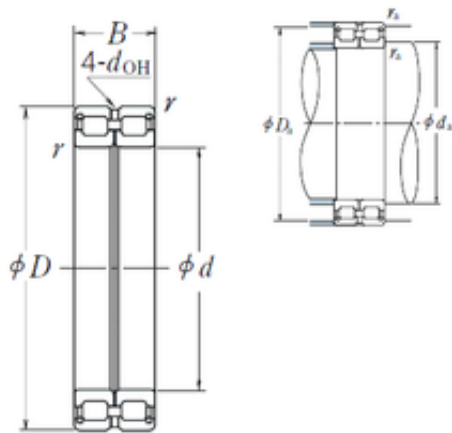




AMERICAN NTN BEARING MFG.CORP.



220 mm x 270 mm x 50 mm NSK RS-4844E4 FULL-COMPLEMENT CYLINDRICAL ROLLER BEARINGS

Bearing No. RS-4844E4

RS-4844E4 Bearing 2D drawings and 3D CAD models

| | |
|-------------------------------|---------------|
| Size | 220x270x50 mm |
| Bore Diameter | 220 mm |
| Outer Diameter | 270 mm |
| Width | 50 mm |
| d | 220 mm |
| D | 270 mm |
| B | 50 mm |
| C | 50 mm |
| r min. | 1,5 mm |
| da min. | 228 mm |
| Da max. | 262 mm |
| ra max. | 1,5 mm |
| Weight | 6,45 Kg |
| Basic dynamic load rating (C) | 340 kN |
| Basic static load rating (C0) | 905 kN |
| (Grease) Lubrication Speed | 450 r/min |
| hidYobi | RS-4844E4 |
| LangID | 1 |
| D_ | 270 |
| B_ | 50 |
| hidTable | ecat_NSCLDRS |
| Oil rpm | 450 |
| mass | 6.45 |
| GRS rpm | 900 |



AMERICAN NTN BEARING MFG.CORP.

| | |
|------------|-----------------|
| ra | 1 |
| da_min | 228 |
| C0 | 905 |
| DE_ | 256.9 |
| Prod_Type3 | CRB_FRFS_OT_FIX |
| DA_ | 11 |
| Z_ | 70 |
| yobi | RS-4844E4 |
| da_max | 262 |
| SDM_ | 245.9 |
| r | 1.5 |
| KBRG | 4220 |
| DI_ | 234.9 |
| doh | 5 |