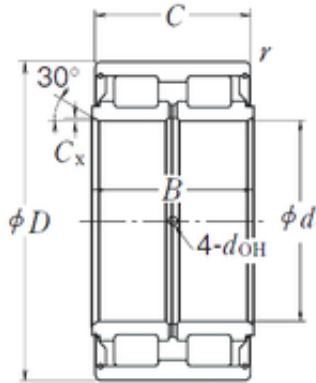




AMERICAN NTN BEARING MFG.CORP.



140 mm x 210 mm x 95 mm NSK RS-5028 FULL-COMPLEMENT CYLINDRICAL ROLLER BEARINGS

Bearing No. RS-5028

Size	140x210x95 mm
Bore Diameter	140 mm
Outer Diameter	210 mm
Width	95 mm
d	140 mm
D	210 mm
B	95 mm
C	94 mm
r min.	1 mm
C2	1,1 mm
Weight	11,3 Kg
Basic dynamic load rating (C)	550 kN
Basic static load rating (C0)	1040 kN
hidYobi	RS-5028
LangID	1
D_	210
B_	95
hidTable	ecat_NSCLDRSG
Cx	1.1
mass	11.3
GRS rpm	710
da_min	146.5
C0	1040
DE_	191.5

RS-5028 Bearing 2D drawings and 3D CAD models



AMERICAN NTN BEARING MFG.CORP.

Prod_Type3	CRB_FRFS_PT_WOLR
DA_	18
Z_	30
r_min	1
yobi	RS-5028
SDM_	173.5
r	94
KBRG	4220
DI_	155.5
doh	5