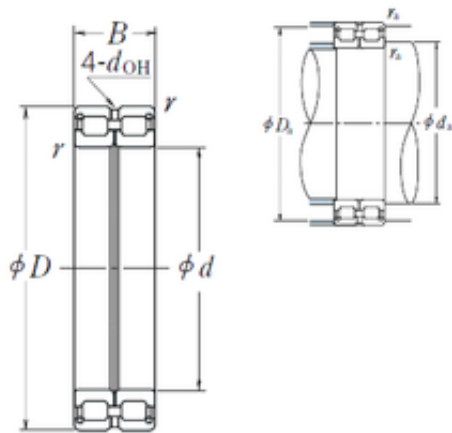




AMERICAN NTN BEARING MFG.CORP.



130 mm x 165 mm x 35 mm NSK RS-4826E4 FULL-COMPLEMENT CYLINDRICAL ROLLER BEARINGS

Bearing No. RS-4826E4

RS-4826E4 Bearing 2D drawings and 3D CAD models

| | |
|-------------------------------|---------------|
| Size | 130x165x35 mm |
| Bore Diameter | 130 mm |
| Outer Diameter | 165 mm |
| Width | 35 mm |
| d | 130 mm |
| D | 165 mm |
| B | 35 mm |
| C | 35 mm |
| r min. | 1,1 mm |
| da min. | 136,5 mm |
| Da max. | 158,5 mm |
| ra max. | 1 mm |
| Weight | 1,9 Kg |
| Basic dynamic load rating (C) | 162 kN |
| Basic static load rating (C0) | 390 kN |
| (Grease) Lubrication Speed | 800 r/min |
| hidYobi | RS-4826E4 |
| LangID | 1 |
| D_ | 165 |
| B_ | 35 |
| hidTable | ecat_NSCLDRS |
| Oil rpm | 800 |
| mass | 1.9 |
| GRS rpm | 1600 |



AMERICAN NTN BEARING MFG.CORP.

| | |
|------------|-----------------|
| ra | 1 |
| da_min | 136.5 |
| C0 | 390 |
| DE_ | 156 |
| Prod_Type3 | CRB_FRFS_OT_FIX |
| DA_ | 7.5 |
| Z_ | 62 |
| yobi | RS-4826E4 |
| da_max | 158.5 |
| SDM_ | 148.5 |
| r | 1.1 |
| KBRG | 4220 |
| DI_ | 141 |
| doh | 3 |