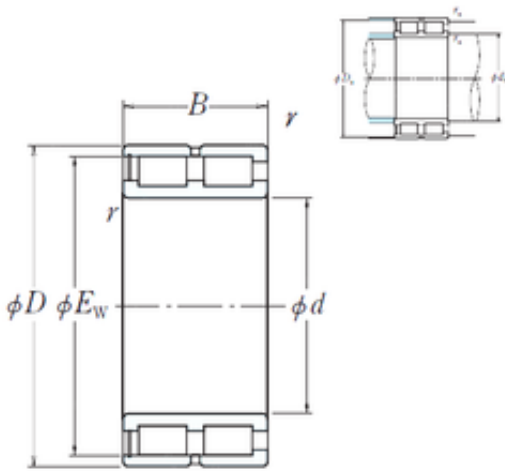




AMERICAN NTN BEARING MFG.CORP.

180 mm x 250 mm x 69 mm NSK NNCF4936V FULL-COMPLEMENT CYLINDRICAL ROLLER BEARINGS

Bearing No. NNCF4936V



NNCF4936V Bearing 2D drawings and 3D CAD models

Size	180x230.5x69 mm
Bore Diameter	180 mm
Outer Diameter	230,5 mm
Width	69 mm
d	180 mm
D	250 mm
Ew	230,5 mm
B	69 mm
C	69 mm
r min.	2 mm
Da	236 mm
ra max.	2 mm
da	193 mm
Weight	10,7 Kg
Basic dynamic load rating (C)	550 kN