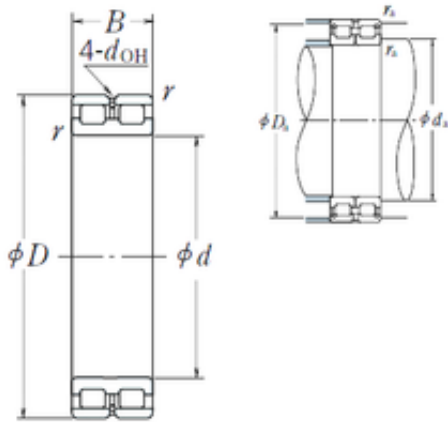




# AMERICAN NTN BEARING MFG.CORP.



## 120 mm x 150 mm x 30 mm NSK RSF-4824E4 FULL-COMPLEMENT CYLINDRICAL ROLLER BEARINGS

Bearing No. RSF-4824E4

RSF-4824E4 Bearing 2D drawings and 3D CAD models

Size	120x150x30 mm
Bore Diameter	120 mm
Outer Diameter	150 mm
Width	30 mm
d	120 mm
D	150 mm
B	30 mm
C	30 mm
r min.	1 mm
da min.	125 mm
Da max.	145 mm
ra max.	1 mm
Weight	1,28 Kg
Basic dynamic load rating (C)	119 kN
Basic static load rating (C0)	283 kN
(Grease) Lubrication Speed	900 r/min
hidYobi	RSF-4824E4
LangID	1
D_	150
B_	30
hidTable	ecat_NSCLDRS
Oil rpm	900
mass	1.28
GRS rpm	1800



## AMERICAN NTN BEARING MFG.CORP.

ra	1
da_min	125
C0	283
DE_	141.5
Prod_Type3	CRB_FRFS_OT_FREE
DA_	6.5
Z_	65
yobi	RSF-4824E4
da_max	145
SDM_	135
r	1
KBRG	4220
disp	2
DI_	128.5
doh	3